

APPLICATION

The ABL series acorn luminaire offers a classic and elegant style while offering the superior performance and longevity that customers have come to expect in our LED products. With many key features and benefits, the ABL LED luminaire can help transform the look and feel of downtown streets, parks, walkways, campuses, and parking lots while lasting for years to come.

SPECIFICATION FEATURES

A... Finial

Optional Victorian style finial available.

B... Globe

Acrylic or polycarbonate globe has an overall height of approximately 28 inches. Globe is impact modified and UV resistant and comes in a diffused stipple pattern.

C... Electronics

LED system mounted inside of fixture comes equipped with high quality OSRAM drivers and high performance LEDs. Advanced surge protection comes standard in all units unless requested without. Quick disconnects included for ease of installation.

D... Base Housing

Base Housing is made of heavy duty cast aluminum. Removable photocontrol door for easy photocontrol replacement.

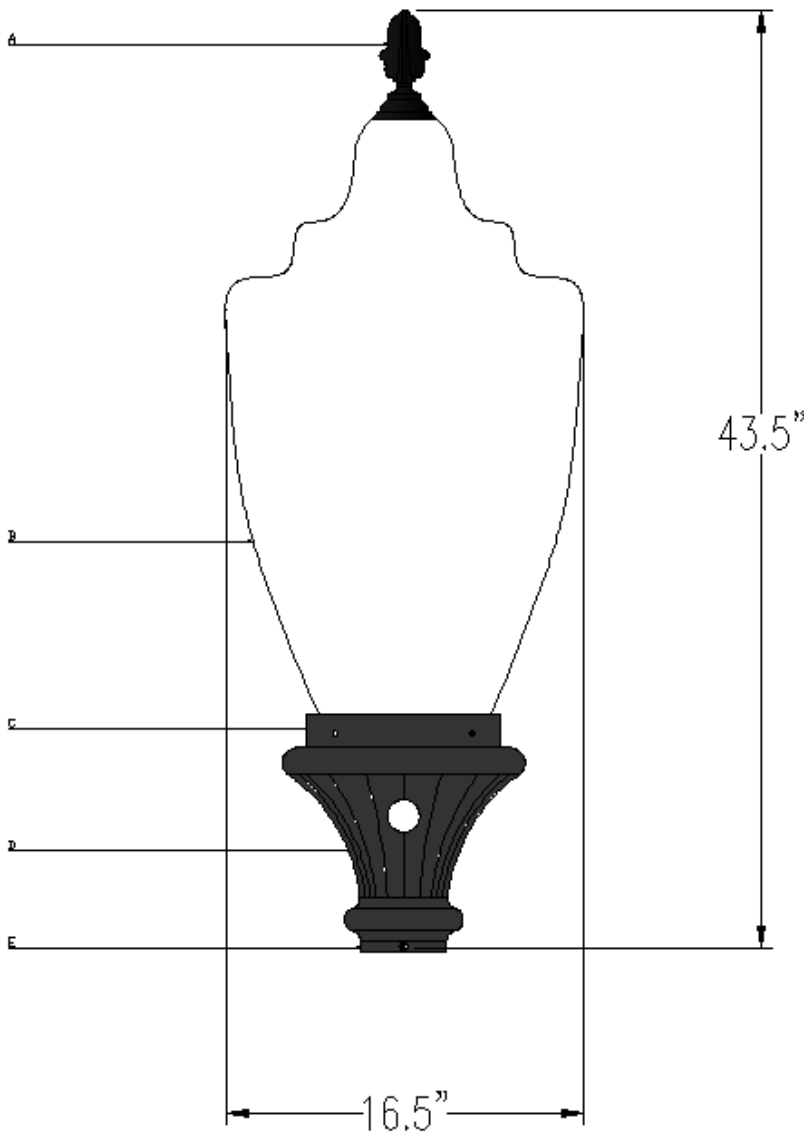
E... Mounting

Base housing fits 3" OD tenons. Three (3) stainless steel fasteners standard.



**ABL
ACORN
LUMINAIRE**

**40W LED
60W LED**

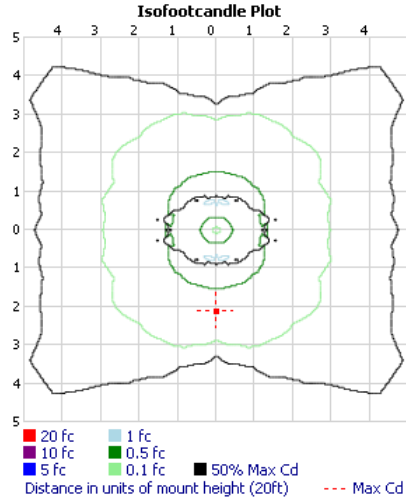


**EPA
Effective Projected Area:
1.7 Square Feet**

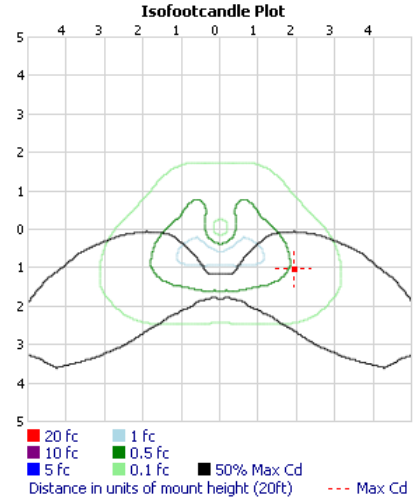
Approximate Net Wt: 25 lbs



60W LED, 4000K, TYPE V (5,559 LUMENS)



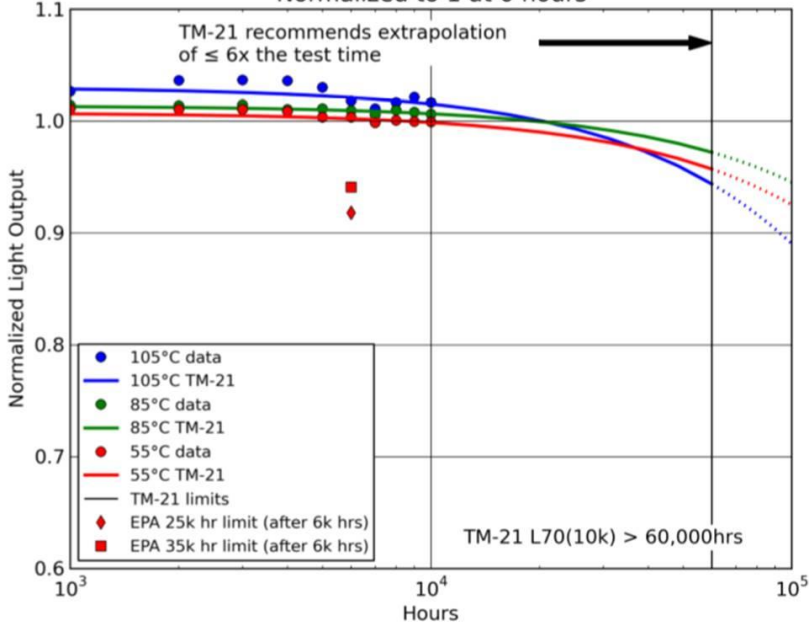
60W LED, 4000K, TYPE V (4,995 LUMENS)



ELECTRICAL INFORMATION

The ABL comes equipped with our high performance D4 post top LED system. The D4 system is 95% power factor corrected, thermal overload protected, electrical short/ overload protected, and has <20% total harmonic distortion. The D4 system has been through a number of test including In Situ Thermal, Energy Star TM-21, IESNA LM-79 and IESNA LM-80. For more information on the D4 post top LED system, check out our D4 specification sheet.

Lumen Maintenance for If = 1000mA
Normalized to 1 at 0 hours



INTERNAL D4 LED SYSTEM



ORDERING INFORMATION

SAMPLE NUMBER: ABL60LE2554K21BL3PLLPC

ABL	60	L	E	2	55	4K	2	1	BL	3P LLPC
PRODUCT FAMILY	WATTAGE	LAMP TYPE	BALLAST TYPE	VOLTAGE	DISTRIBUTION	CCT	SURGE PROTECTION	FINIAL	COLOR	OPTIONS
ABL	40 = 40W 60 = 60W	L = LED	E = ELEC. DRIVER D = DIMMING DRIVER	2 = 120-277V 8 = 480V	33 = TYPE III 55 = TYPE V	3K = 3000K 4K = 4000K 5K = 5000K	0 = NONE 1 = 20kV/10kA 2 = 36kV/18kA	0 = NONE 1 = VICTORIAN	BL = BLACK HG = HUNTER GREEN BZ = BRONZE XX = CONSULT FACTORY	3P = 3 POS TWIST LOCK RECEPTACLE LLPC = LONG LIFE PHOTOCONTROL TB = TERMINAL BLOCK INCLUDED COB = CHIP ON BOARD HIGH OUTPUT LED P = POLYCARBONATE 7P = 7 PIN TWIST LOCK RECEPTACLE

