

APPLICATION

The ANL series acorn luminaire offers a classic and elegant style while offering the superior performance and longevity that customers have come to expect in our LED products. With many key features and benefits, the ANL LED luminaire can help transform the look and feel of downtown streets, parks, walkways, campuses, and parking lots while lasting for years to come.

SPECIFICATION FEATURES

A... Globe

Acrylic or polycarbonate globe has an overall height of approximately 23 inches. Globe is impact modified and UV resistant and comes in a diffused stipple pattern.

B... Electronics

LED system mounted inside of fixture comes equipped with high quality OSRAM drivers and high performance LEDs. Advanced surge protection comes standard in all units unless requested without. Quick disconnects included for ease of installation.

C... Base Housing

Base Housing is made of heavy duty cast aluminum. Removable photocontrol door for easy photocontrol replacement.

D... Mounting

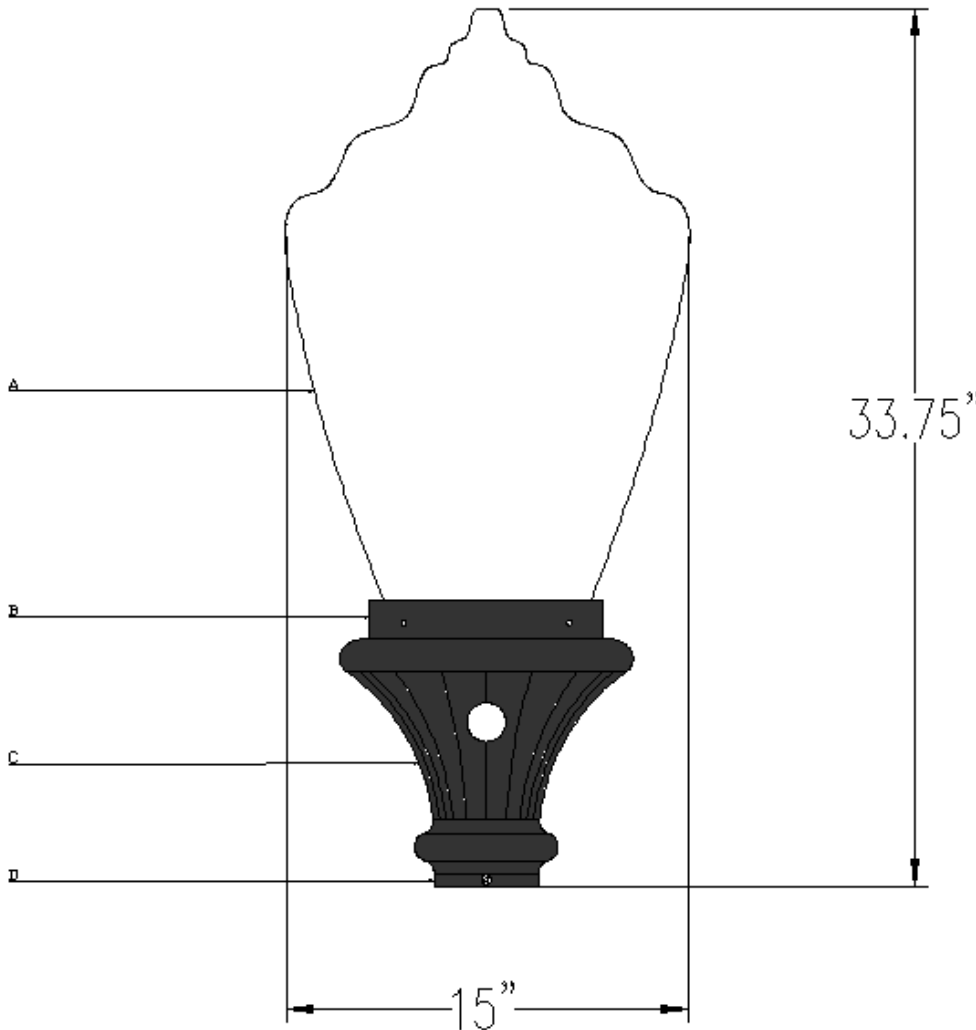
Base housing fits 3" OD tenons. Three (3) stainless steel fasteners standard.



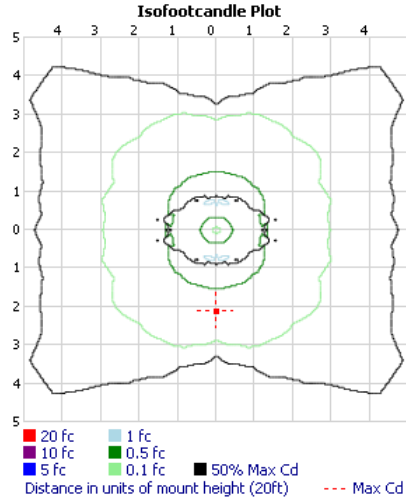
**ANL
ACORN
LUMINAIRE**

**40W LED
60W LED**

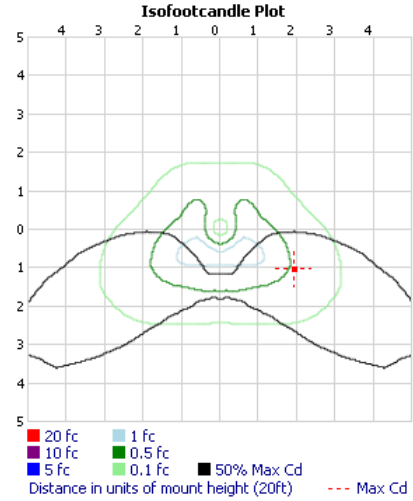
**EPA
Effective Projected Area:
1.7 Square Feet
Approximate Net Wt: 25 lbs**



60W LED, 4000K, TYPE V (5,559 LUMENS)



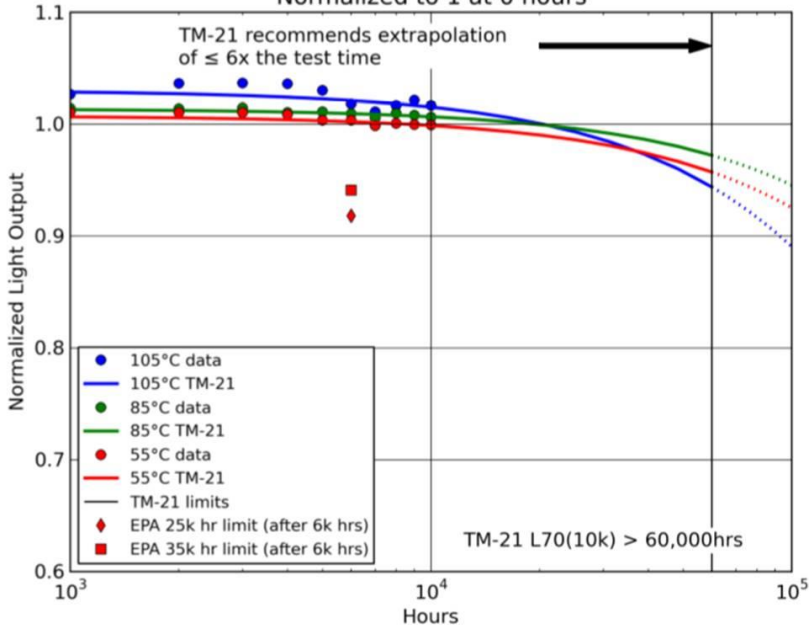
60W LED, 4000K, TYPE V (4,995 LUMENS)



ELECTRICAL INFORMATION

The ANL comes equipped with our high performance D4 post top LED system. The D4 system is 95% power factor corrected, thermal overload protected, electrical short/ overload protected, and has <20% total harmonic distortion. The D4 system has been through a number of test including In Situ Thermal, Energy Star TM-21, IESNA LM-79 and IESNA LM-80. For more information on the D4 post top LED system, check out our D4 specification sheet.

Lumen Maintenance for If = 1000mA
Normalized to 1 at 0 hours



INTERNAL D4 LED SYSTEM



ORDERING INFORMATION

SAMPLE NUMBER: ANL60LE2554K2BL3PLLPC

ANL PRODUCT FAMILY	60 WATTAGE 40 = 40W 60 = 60W	L LAMP TYPE L = LED	E BALLAST TYPE E = ELEC. DRIVER D = DIMMING DRIVER	2 VOLTAGE 2 = 120-277V 8 = 480V	55 DISTRIBUTION 33 = TYPE III 55 = TYPE V	4K CCT 3K = 3000K 4K = 4000K 5K = 5000K	2 SURGE PROTECTION 0 = NONE 1 = 20kV/10kA 2 = 36kV/18kA	BL COLOR BL = BLACK HG = HUNTER GREEN BZ = BRONZE XX = CONSULT FACTORY	3P LLPC OPTIONS 3P = 3 POS TWIST LOCK RECEPTACLE LLPC = LONG LIFE PHOTOCONTROL TB = TERMINAL BLOCK INCLUDED COB = CHIP ON BOARD HIGH OUTPUT LED P = POLYCARBONATE 7P = 7 PIN TWIST LOCK RECEPTACLE
------------------------------	--	----------------------------------	--	---	---	--	--	--	--

