

**APPLICATION**

The ASL series acorn luminaire offers a classic and elegant style while offering the superior performance and longevity that customers have come to expect in our LED products. With many key features and benefits, the ASL LED luminaire can help transform the look and feel of downtown streets, parks, walkways, campuses, and parking lots while lasting for years to come.

**SPECIFICATION FEATURES**

**A... Finial**

Optional Victorian style finial available.

**B... Globe**

Acrylic or polycarbonate globe has an overall height of approximately 21 inches. Globe is impact modified and UV resistant and comes in a diffused stipple pattern.

**C... Electronics**

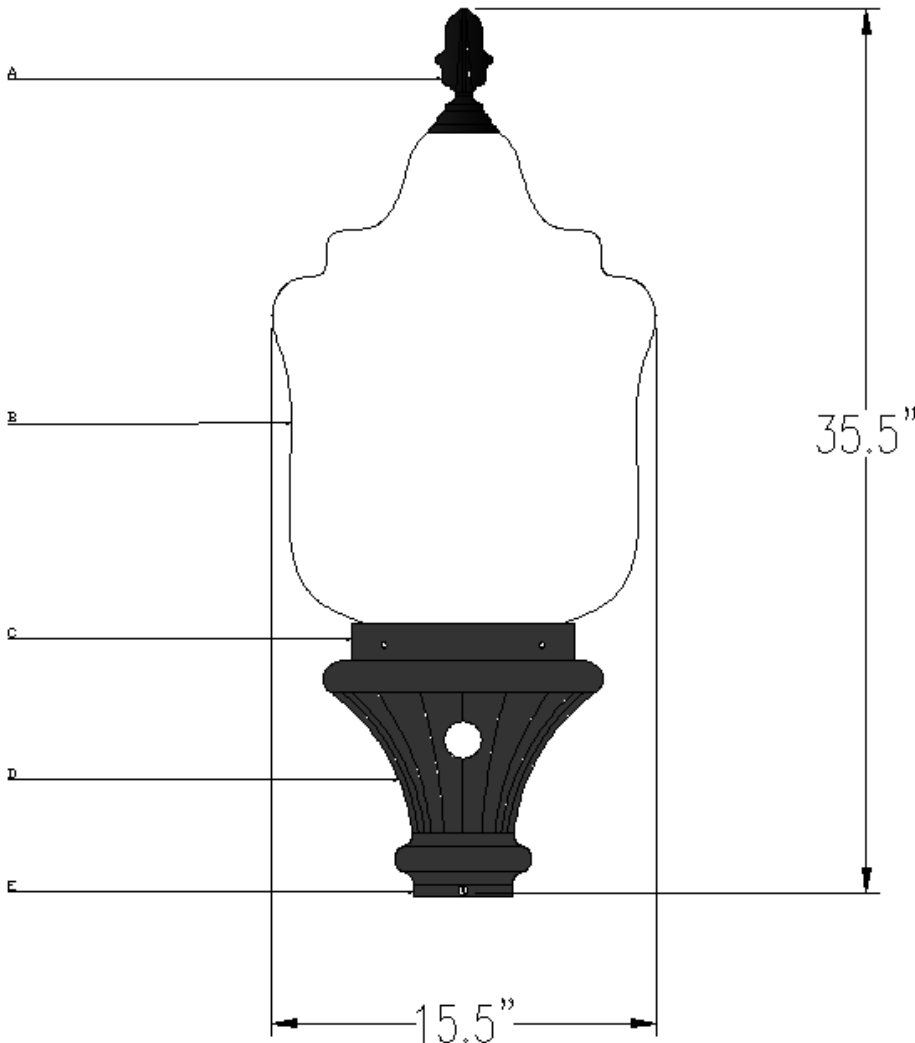
LED system mounted inside of fixture comes equipped with high quality OSRAM drivers and high performance LEDs. Advanced surge protection comes standard in all units unless requested without. Quick disconnects included for ease of installation.

**D... Base Housing**

Base Housing is made of heavy duty cast aluminum. Removable photocontrol door for easy photocontrol replacement.

**E... Mounting**

Base housing fits 3" OD tenons. Three (3) stainless steel fasteners standard.



**ASL  
ACORN  
LUMINAIRE**

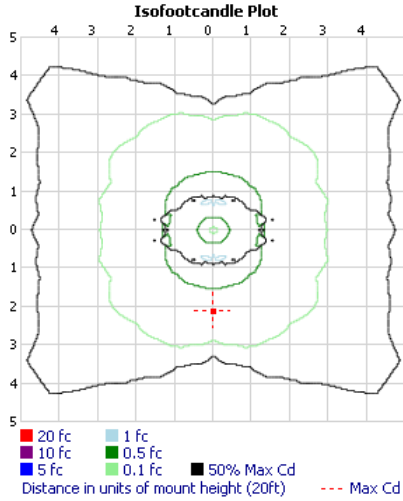
**40W LED  
60W LED**

**EPA  
Effective Projected Area:  
1.7 Square Feet**

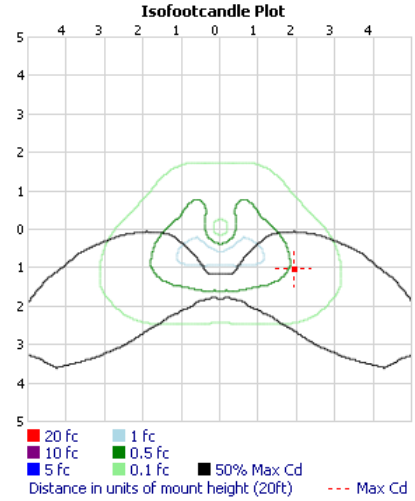
**Approximate Net Wt: 25 lbs**



60W LED, 4000K, TYPE V (5,559 LUMENS)



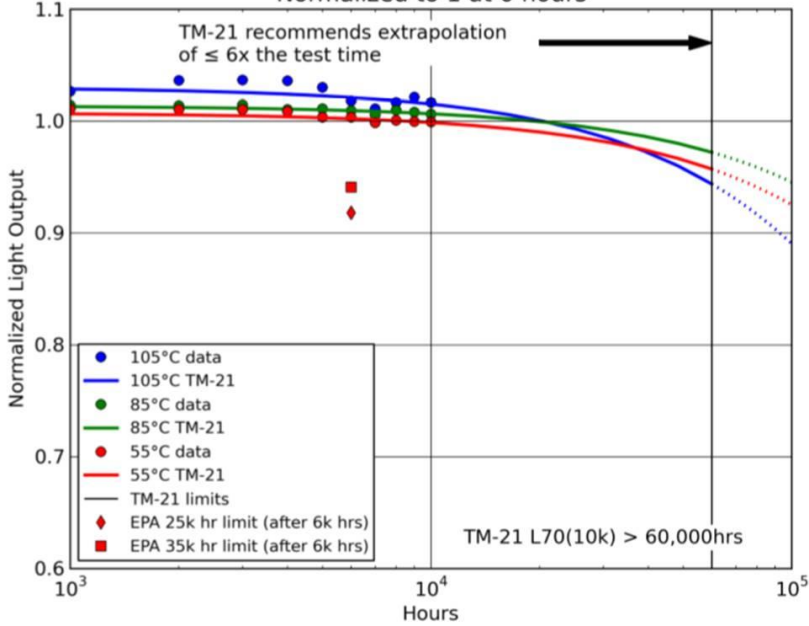
60W LED, 4000K, TYPE V (4,995 LUMENS)



ELECTRICAL INFORMATION

The ASL comes equipped with our high performance D4 post top LED system. The D4 system is 95% power factor corrected, thermal overload protected, electrical short/ overload protected, and has <20% total harmonic distortion. The D4 system has been through a number of test including In Situ Thermal, Energy Star TM-21, IESNA LM-79 and IESNA LM-80. For more information on the D4 post top LED system, check out our D4 specification sheet.

Lumen Maintenance for If = 1000mA  
Normalized to 1 at 0 hours



INTERNAL D4 LED SYSTEM



ORDERING INFORMATION

SAMPLE NUMBER: ASL60LE2554K21BL3PLLPC

ASL PRODUCT FAMILY	60 WATTAGE	L LAMP TYPE	E BALLAST TYPE	2 VOLTAGE	55 DISTRIBUTION	4K CCT	2 SURGE PROTECTION	1 FINIAL	BL COLOR	3P LLPC OPTIONS
ASL	40 = 40W 60 = 60W	L = LED	E = ELEC. DRIVER D = DIMMING DRIVER	2 = 120-277V 8 = 480V	33 = TYPE III 55 = TYPE V	3K = 3000K 4K = 4000K 5K = 5000K	0 = NONE 1 = 20kV/10kA 2 = 36kV/18kA	0 = NONE 1 = VICTORIAN	BL = BLACK HG = HUNTER GREEN BZ = BRONZE XX = CONSULT FACTORY	3P = 3 POS TWIST LOCK RECEPTACLE LLPC = LONG LIFE PHOTOCONTROL TB = TERMINAL BLOCK INCLUDED COB = CHIP ON BOARD HIGH OUTPUT LED P = POLYCARBONATE 7P = 7 PIN TWIST LOCK RECEPTACLE

