

**APPLICATION**

The CCC series HPS Center Suspension Luminaire provides a cost efficient solution for lighting roadway intersections. With premium photometric performance, the CCC allows customers to enjoy the benefits of a quality American made fixture. The CCC is designed specifically for mounting on a suspension cable spanning across two utility poles at an intersection, eliminating the need for a fixture mounting arm.

**SPECIFICATION FEATURES**

**A... Mounting**

Cable clamp mounting bracket made of durable sand cast aluminum in Ohio.

**B... Electronics**

NEMA High Pressure sodium ballast with starter wired to 2 feet of 14/3 SJOOW cable. Available in up to 250w HPS.

**C... Reflector**

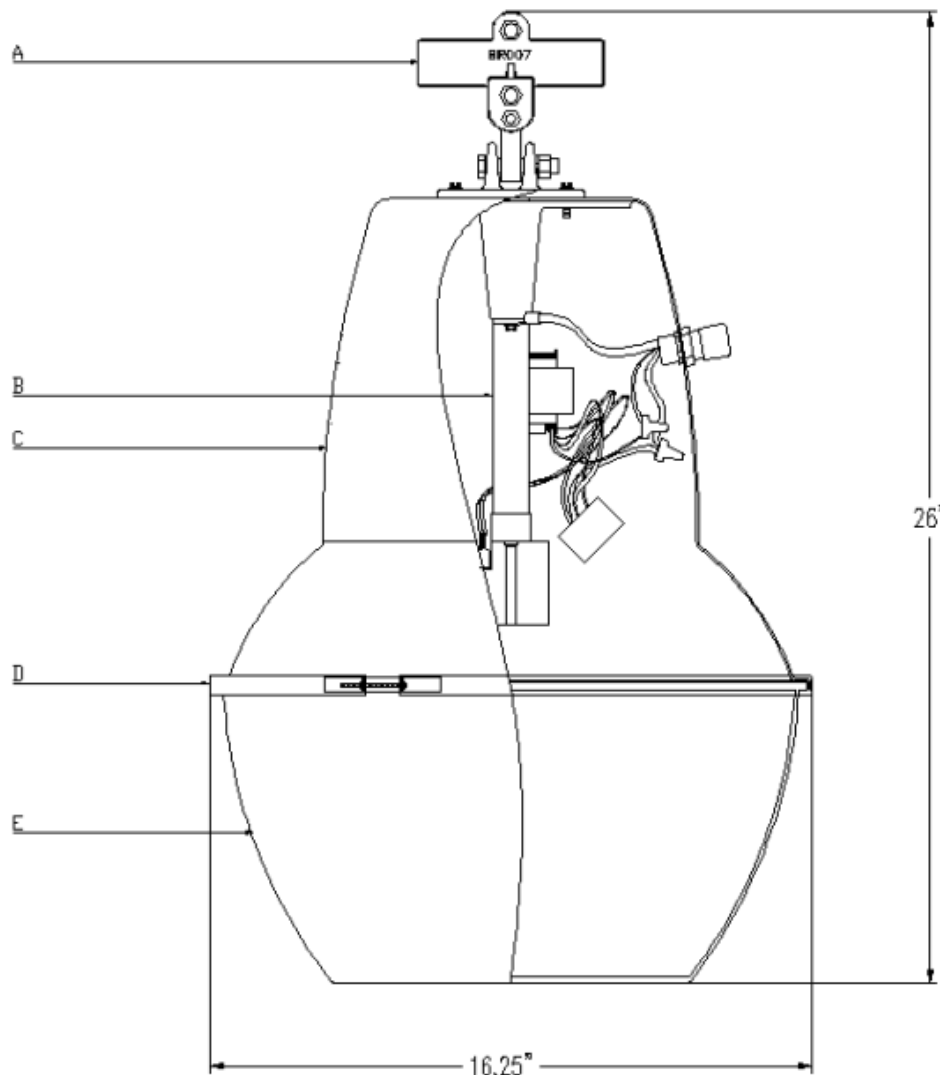
Spun aluminum reflector with grey polyester powder coat paint manufactured in Alabama.

**D... Clamping Band**

Stainless steel clamping band secures the lens to the reflector.

**E... Lens**

Injection molded acrylic IES Type V lens manufactured in Michigan provides excellent photometric performance.



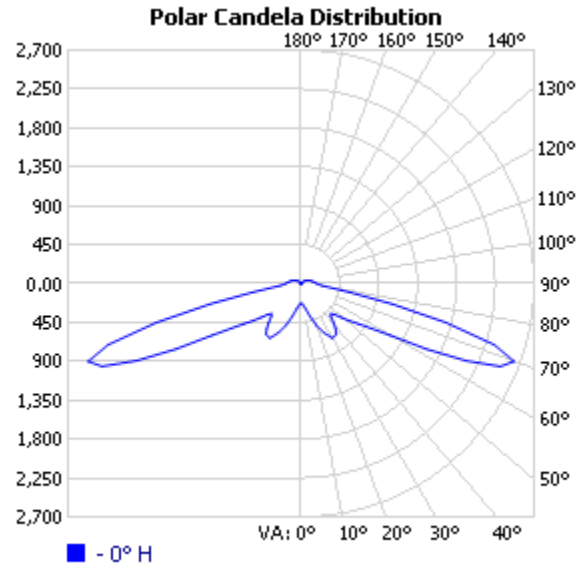
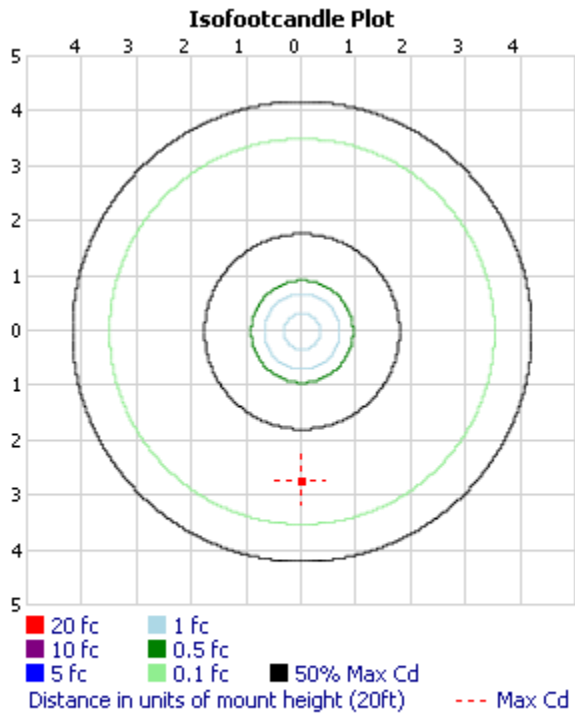
**CCC  
ROADWAY  
LUMINAIRE**

**100W HPS  
150W HPS  
250W HPS**

**Approximate Net Wt: 20 lbs**



100W HPS, TYPE V (6,679 LUMENS)



**ORDERING INFORMATION**

SAMPLE NUMBER: CCC10SR255

<b>CCC</b> PRODUCT FAMILY CCC	<b>10</b> WATTAGE 10 = 100W 15 = 150W 25 = 250W	<b>S</b> LAMP TYPE S = HPS	<b>R</b> BALLAST TYPE R = REAC/NPF. W = CWA (250W ONLY)	<b>2</b> VOLTAGE 2 = 120V	<b>55</b> DISTRIBUTION 55 = TYPE V	<b>XX</b> OPTIONS P = POLYCARBONATE
--	---	-------------------------------------	--	---------------------------------	--	---

