

APPLICATION

The CHL series LED Roadway Luminaire provides a cost efficient and long lasting solution for area and roadway lighting applications. With a standard 10 year warranty and excellent photometric performance, the CHL allows customers to enjoy the benefits of a quality made LED fixture with peace of mind. With the capability of replacing up to a 250w HID source lamp, the CHL luminaire is suitable for a wide range of roadway lighting applications.



**CHL
ROADWAY
LUMINAIRE**

**50W LED
80W LED**

Approximate Net Wt: 15 lbs



SPECIFICATION FEATURES

A... Housing

Die cast aluminum housing includes a front latch for tool less access to the LED compartment. Standard grey polyester powder coat.

B... Lens

Sag glass lens secured by four (4) clips.

C... LED Light Engine

High performance Lumileds Luxeon COB (chip on board) LEDs and silicone optic provide excellent photometric distribution. Forged aluminum rod heat sink allows for greater heat dissipation. Light engine is mounted to a 1/8" aluminum plate and sealed to the sag glass lens.

D... Photocontrol

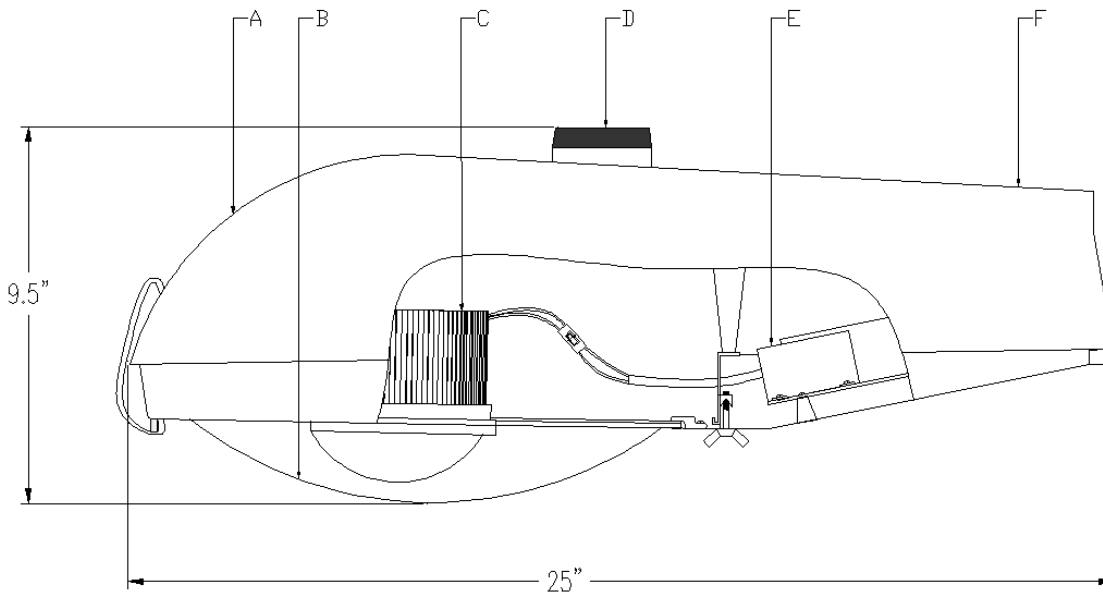
Available 3 pin, 5 pin, or 7 pin receptacles. Long Life twenty (20) year rated twist lock photocontrols also available.

E... Electronics

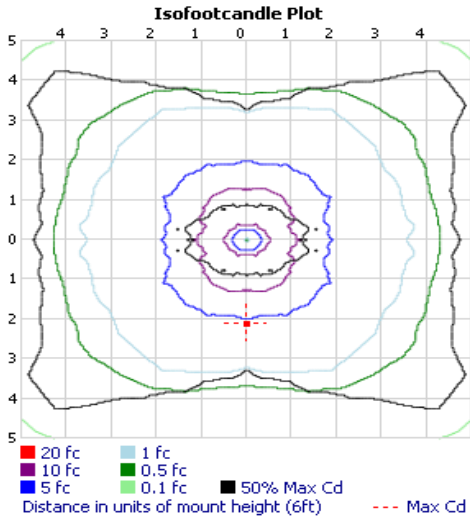
High performing driver and advanced surge protector mounted to an easily accessible door. Door is secured by a wing shoulder bolt to allow tool less entry into the electronics compartment for wiring or terminal block connections.

E... Mounting

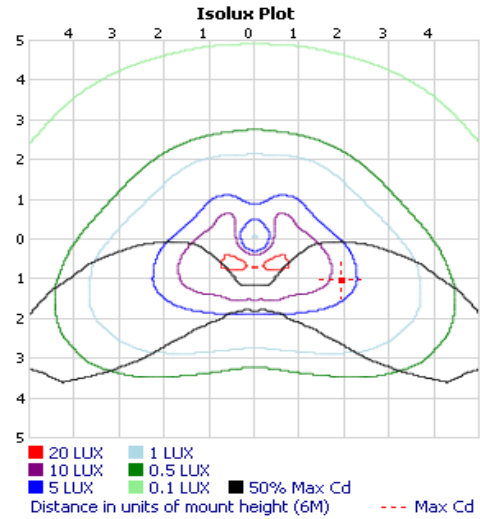
Clamping bracket secured by two bolts with built in cast leveling steps. Bird guard provided to fit around 1 1/4" or 2" mounting arms.



80W LED, 4000K, TYPE V (8,216 LUMENS)

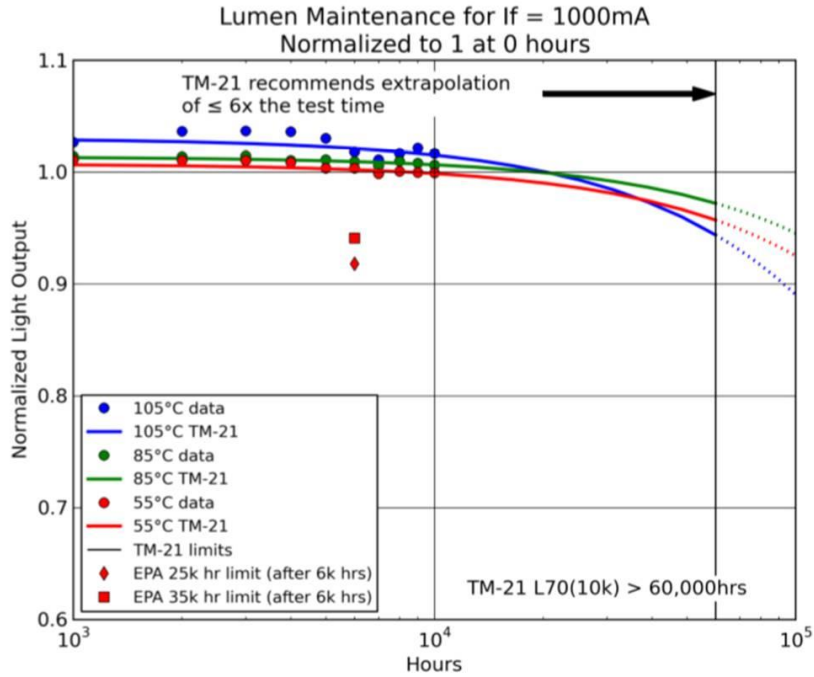


80W LED, 4000K, TYPE III (7,918 LUMENS)



ELECTRICAL INFORMATION

The CHL Luminaire is 95% power factor corrected, thermal overload protected, electrical short/ overload protected, and has <20% total harmonic distortion. The D4 system has been through a number of tests including In Situ Thermal, Energy Star TM-21, IESNA LM-79 and IESNA LM-80. The CHL has a rated life of greater than 100,000 hours.



ORDERING INFORMATION

SAMPLE NUMBER: CHL50LE2554K23PLLPC

CHL PRODUCT FAMILY CHL	50 WATTAGE 50 = 50W 80 = 80W	L LAMP TYPE L = LED	E BALLAST TYPE E = ELEC. DRIVER D = DIMMABLE DRIVER	2 VOLTAGE 2 = 120-277V	55 DISTRIBUTION 33 = TYPE III 55 = TYPE V	4K CCT 3K = 3000K 4K = 4000K 5K = 5000K	2 SURGE PROTECTION 0 = NONE 1 = 20kV/10kA 2 = 36kV/18kA	3P LLPC OPTIONS LLPC = LONG LIFE TWIST LOCK PHOTOCONTROL 3P = 3 PIN PHOTOCONTROL RECEPTACLE 7P = 7 PIN PHOTOCONTROL RECEPTACLE TB = TERMINAL BLOCK INSTALLED SC = SHORTING CAP
-------------------------------------	--	----------------------------------	---	-------------------------------------	---	--	--	---

