

**APPLICATION**

The COL series post top luminaire offers a traditional lantern style look while offering the superior performance and longevity that customers have come to expect in our LED products. With many key features and benefits, the COL LED luminaire can help transform the look and feel of residential streets, park walkways, and campuses while lasting for years to come.



**COL  
POST TOP  
LUMINAIRE**

**40W LED  
60W LED**

**Approximate Net Wt: 20 lbs**



**SPECIFICATION FEATURES**

**A... Cupola**

NEMA twist lock receptacle mounted inside a cast aluminum, 360 degrees rotatable cupola.

**B... Electronics**

LED system mounted inside of fixture comes equipped high quality OSRAM drivers and high performance LEDs. Advanced surge protection comes standard in all units unless requested without. Quick disconnects included for ease of installation

**C... Housing**

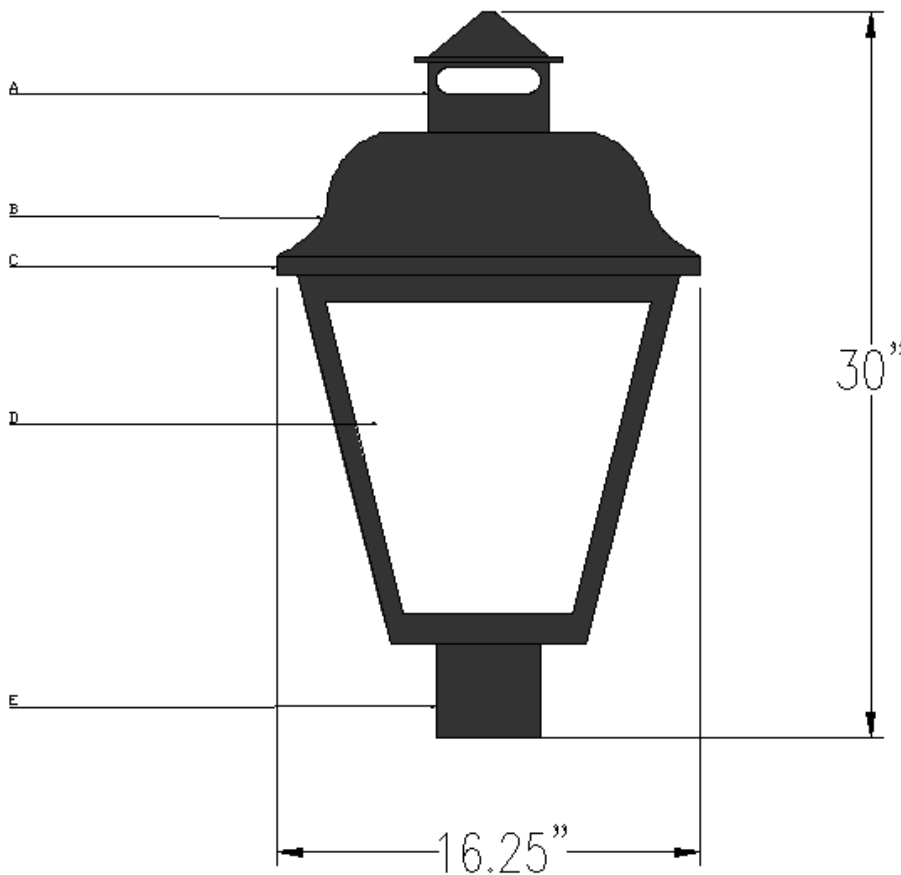
Housing is made of from die cast aluminum and stands approximately 30" tall. Standard black polyester powder coat. (Available in other colors upon request)

**D... Lens Panels**

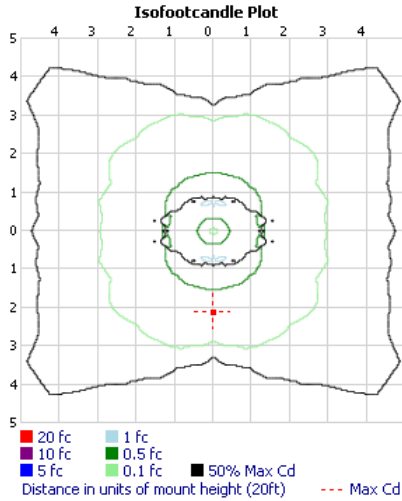
Four (4) lens panels consisting of 1/8" thick acrylic and frosted on one side allow for excellent light transfer while giving the fixture an aesthetically pleasing glow.

**E... Mounting**

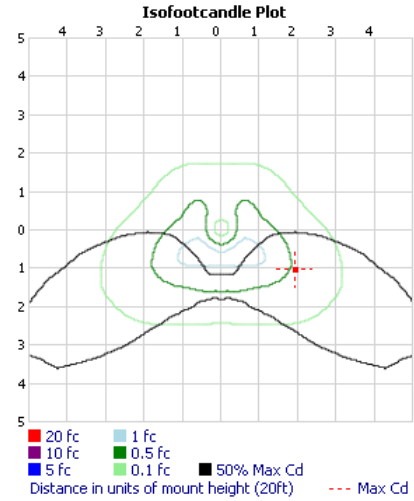
Base housing fits 3" OD tenons. Three (3) stainless steel fasteners standard.



60W LED, 4000K, TYPE V (5,559 LUMENS)



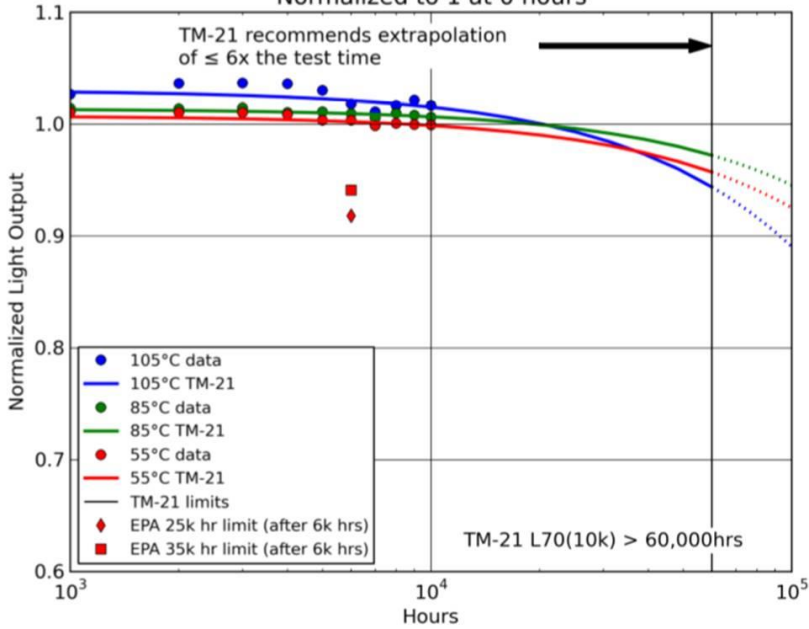
60W LED, 4000K, TYPE III (4,995 LUMENS)



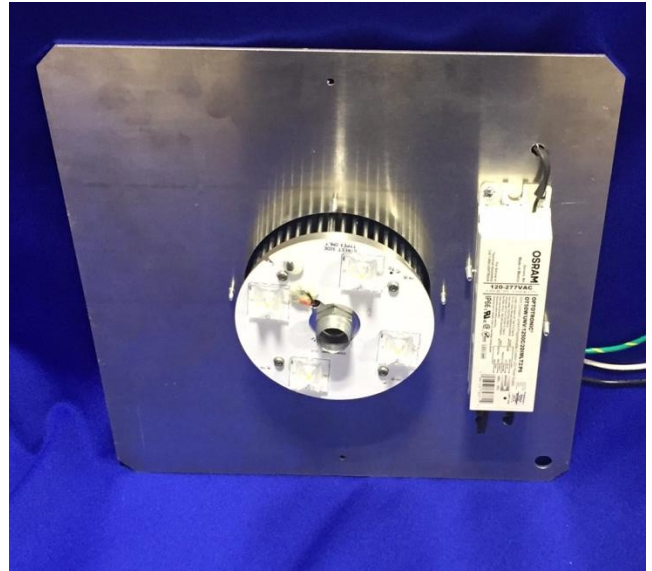
**ELECTRICAL INFORMATION**

The COL comes equipped with our high performance D4 post top LED system. The D4 system is 95% power factor corrected, thermal overload protected, electrical short/ overload protected, and has <20% total harmonic distortion. The D4 system has been through a number of test including In Situ Thermal, Energy Star TM-21, IESNA LM-79 and IESNA LM-80. For more information on the D4 post top LED system, check out our D4 specification sheet.

Lumen Maintenance for If = 1000mA  
Normalized to 1 at 0 hours



INTERNAL D4 LED SYSTEM



**ORDERING INFORMATION**

SAMPLE NUMBER: COL60LE2554K2BL3PLLPC

COL	60	L	E	2	55	4K	2	BL	3P LLPC
PRODUCT FAMILY	WATTAGE	LAMP TYPE	BALLAST TYPE	VOLTAGE	DISTRIBUTION	CCT	SURGE PROTECTION	COLOR	OPTIONS
COL	40 = 40W 60 = 60W	L = LED	E = ELEC. DRIVER D = DIMMING DRIVER	2 = 120-277V 8 = 480V	33 = TYPE III 55 = TYPE V	3K = 3000K 4K = 4000K 5K = 5000K	0 = NONE 1 = 20kV/10kA 2 = 36kV/18kA	BL = BLACK XX = CONSULT FACTORY	3P = 3 POS TWIST LOCK RECEPTACLE LLPC = LONG LIFE PHOTOCONTROL INCLUDED TB = TERMINAL BLOCK INCLUDED COB = CHIP ON BOARD HIGH OUTPUT LED 7P = 7 PIN TWIST LOCK RECEPTACLE

