

**APPLICATION**

The CCL series LED Center Suspension Luminaire provides a cost efficient and long lasting solution for lighting roadway intersections. With a standard 10 year warranty and excellent photometric performance, the CCL allows customers to enjoy the benefits of a quality made LED fixture with peace of mind. The CCL is designed specifically for mounting on a suspension cable spanning across two utility poles at an intersection, eliminating the need for a fixture mounting arm.

**SPECIFICATION FEATURES**

**A... Mounting**

Cable clamp mounting bracket made of durable sand cast aluminum in Ohio.

**B... Electronics**

High performing drivers and advanced surge protectors provide ultra-long life in a robust powering system.

**C... Reflector**

Spun aluminum reflector with grey polyester powder coat paint manufactured in Alabama.

**D... LED Light Engine**

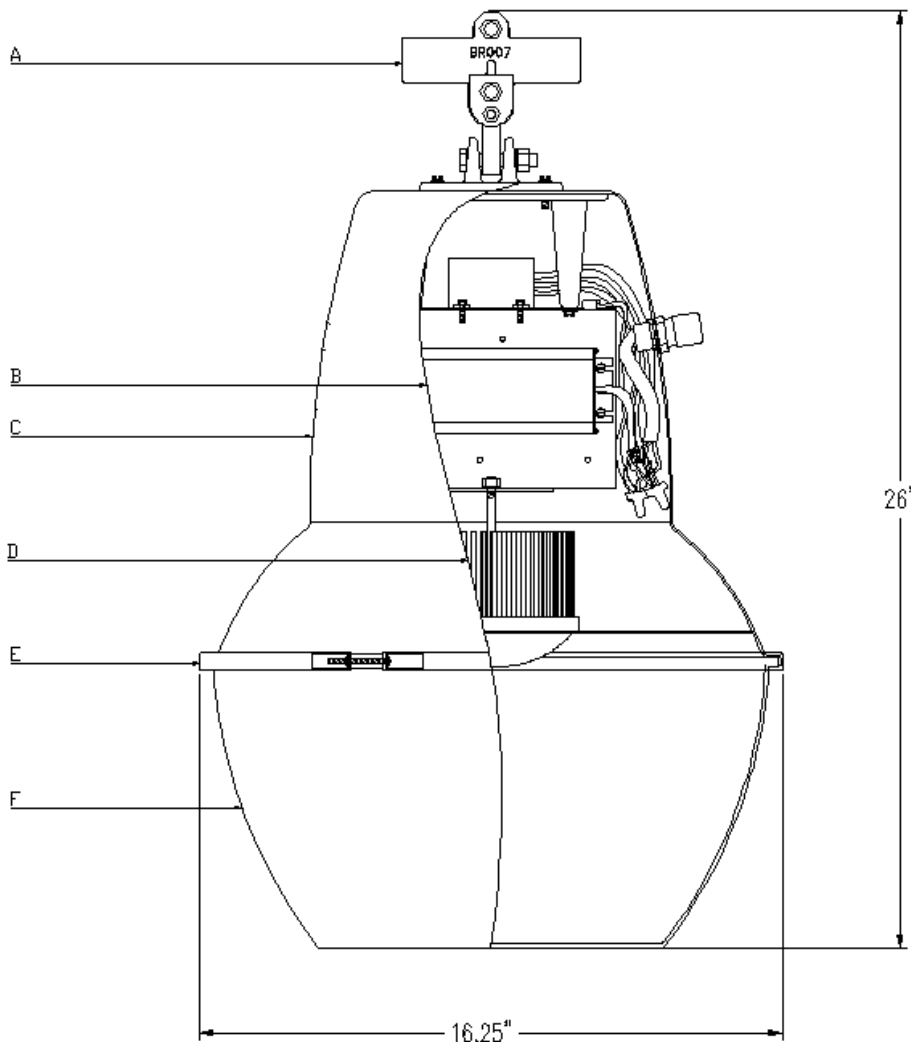
High performance Lumileds Luxeon COB (chip on board) LEDs and silicone optic provide excellent photometric distribution. Forged aluminum rod heat sink allows for greater heat dissipation.

**E... Clamping Band**

Stainless steel clamping band secures the lens to the reflector.

**F... Lens**

Acrylic IES Type V lens manufactured in Michigan.



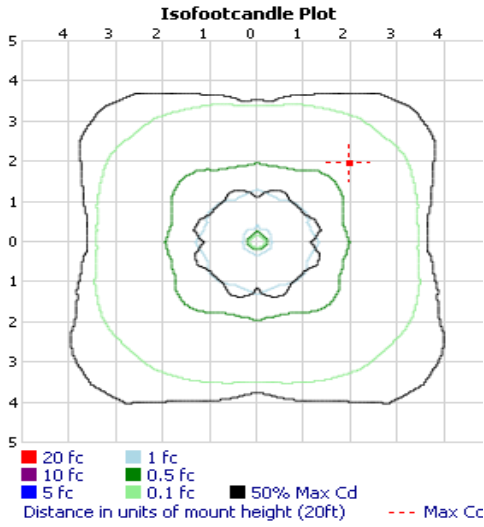
**CCL  
ROADWAY  
LUMINAIRE**

**40W LED  
65W LED**

Approximate Net Wt: 20 lbs

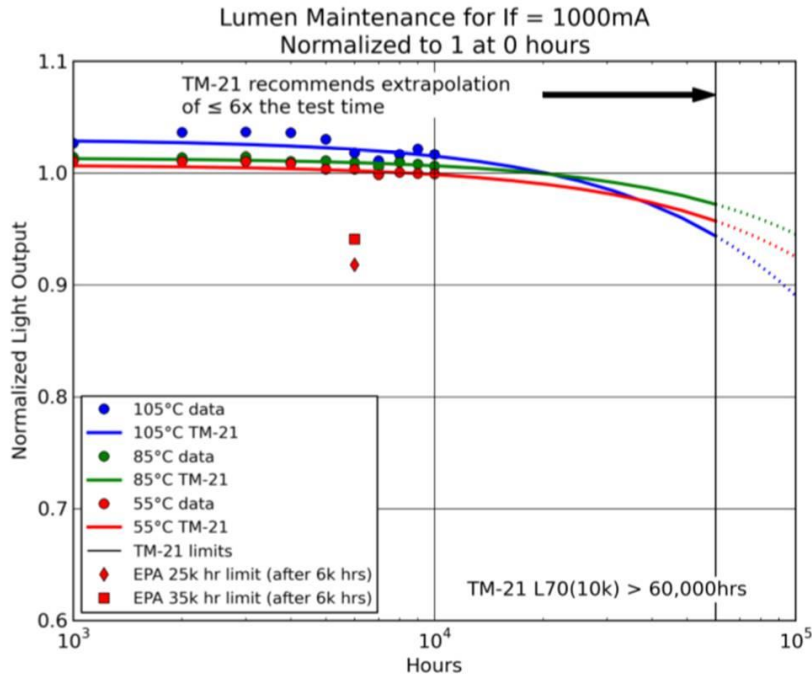


65W LED, 4000K, NO REFRACTOR, TYPE V (8,300 LUMENS)



**ELECTRICAL INFORMATION**

The CCL Luminaire is 95% power factor corrected, thermal overload protected, electrical short/ overload protected, and has <20% total harmonic distortion. The D4 system has been through a number of tests including In Situ Thermal, Energy Star TM-21, IESNA LM-79 and IESNA LM-80. The CCL has a rated life of greater than 100,000 hours.



CCL, NO REFRACTOR



**ORDERING INFORMATION**

SAMPLE NUMBER: CCL40LE2554K2NR

<b>CCL</b> PRODUCT FAMILY CCL	<b>40</b> WATTAGE 40 = 50W 65 = 80W	<b>L</b> LAMP TYPE L = LED	<b>E</b> BALLAST TYPE E = ELEC. DRIVER D = DIMMABLE DRIVER	<b>2</b> VOLTAGE 2 = 120-277V	<b>55</b> DISTRIBUTION 33 = TYPE III 55 = TYPE V	<b>4K</b> CCT 3K = 3000K 4K = 4000K 5K = 5000K	<b>2</b> SURGE PROTECTION 0 = NONE 1 = 20kV/10kA 2 = 36kV/18kA	<b>COB</b> OPTIONS COB = HIGH OUTPUT CHIP ON BOARD LED NR = NO REFRACTOR
-------------------------------------	--	----------------------------------	---	-------------------------------------	---	--	--	---

