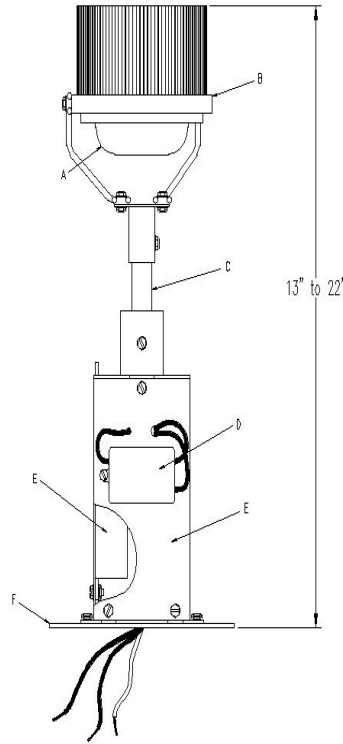


**APPLICATION**

The proven D4 LED Post Top Retrofit kit is a universal low cost replacement for high cost HID light sources in decorative post top fixtures. The D4 is designed to convert existing fixtures to meet LED lighting standards for post top fixtures. Other benefits include eliminating mercury, reducing carbon footprint, and removed light pollution for environmentally conscientious customers. This system has been thoroughly tested to the most demanding industry standards including LM-79, LM-80, In-Situ, TM-21, surge testing to UL 1449 3<sup>rd</sup> edition, vibration tested and more.

**FEATURES**

- A...** Superior optical light control for maximum performance and coverage.
- B...** High performance forged heat sink.
- C...** Telescoping and locking center post.
- D...** Standard 40kV series impedance balanced SPD - Surge Protection Device
- E...** Enclosed electronics and wiring. High performance Osram/Sylvania and Meanwel drivers. 480V available.
- F...** 6.5" or 8" mounting plate. Custom plates available.



**D4 POST TOP RETROFIT**

**0-90 ZONE lumens**

	3K	4K	5K
30W	3850	4095	4095
40W	4675	4970	4970
60W	6460	6870	6870
65WHO	7880	8320	8320
80W	8050	8555	8555

**ADVANTAGES OF OUR HEAT SINK**

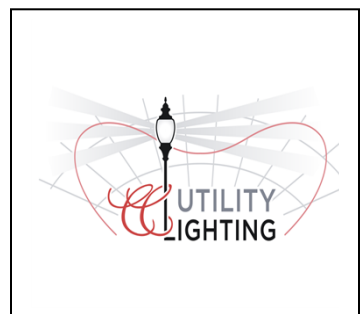
- 1...** Extreme surface area for maximum cooling.
- 2...** High performance aluminum for rapid heat transfer.
- 3...** Light weight for reduced costs and lower center-of-gravity.
- 4...** Uniform cooling, even in high temperature environments.

**KEY BENEFITS**

- Key benefits for the D4 include:
- True white light, large coverage area
  - Reduces energy consumption by up to 80%
  - Reduces labor costs by up to 75%
  - Mercury free and lead free (RoHS compliant)
  - Easy to install and service
  - 0-10 VDC dimming available
  - All tested and proven components for long life
  - The D4 Retrofit Kit comes with a 10 year warranty on 36 kV surge protected units and a 5 year warranty on 20 kV surge protected units.



D4	40	L	E	2	55	XX
Product Family	Wattage	Lamp Type	Ballast Type	Voltage	Distribution	Options
	30W	L = LED	E = Electronic	2 = 120V-277V	55 = Type V	PD = Prog driver
	40W			8 = 480V	33 = Type III	WH = paint white
	65W					3K = 3K Color temp
	80W					5K = 5K Color temp



**SPECIFICATIONS**

**LISTING**

IP66 Wet Location Rated Components  
 Designed to UL1449 3<sup>rd</sup> Edition UL 1598  
 UL Drivers  
 Complies with IEEE C62.41  
 FCC Part 15 Class A

**TESTING**

InSitu Thermal  
 Energy Star TM-21  
 Surge & Transient Tested  
 100% Production Test and Inspection  
 IESNA LM-79

**RATED LIFE**

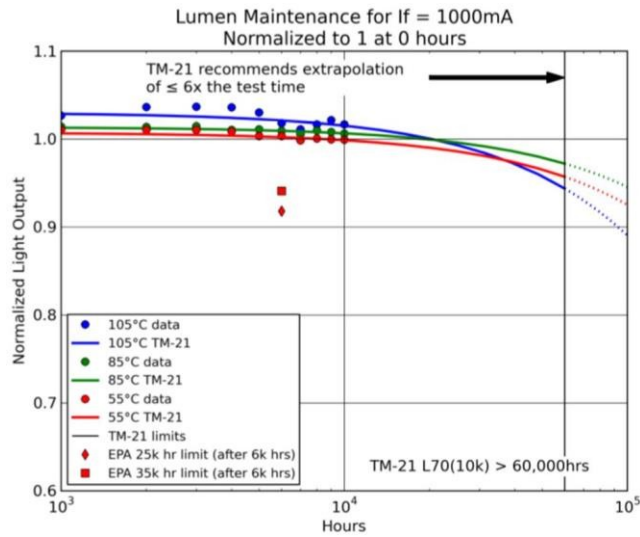
100,000+ Hours Rated System Life  
 80% Lumen Maintenance at 100,000 hours

**ELECTRICAL**

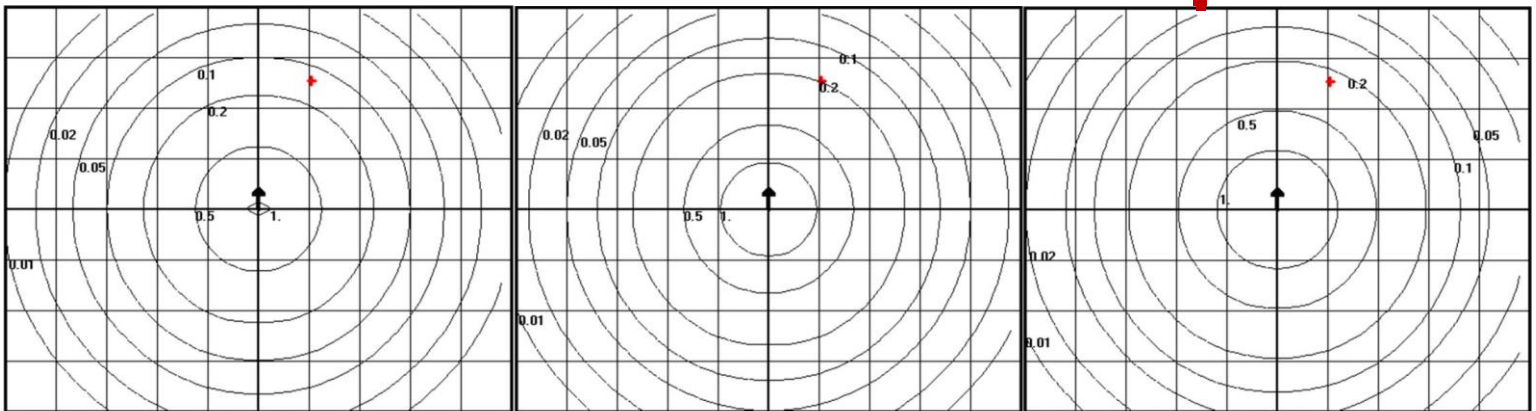
30w .25A, 40w .33A, 60w .5A, 80w .66A at 120 VAC  
 95% Power Factor Corrected  
 <20% Total Harmonic Distortion  
 -40C to +40C Ambient Operating Temp  
 Universal 120-277 VAC  
 Thermal Overload Protected  
 Electrical Short / Overload Protected



**Approximate Net Wt: 8 lbs**



**PHOTOMETRICS**



Mounting Height = 20'. Each box is one mounting height.

Mounting Height = 20'. Each box is one mounting height.

Mounting Height = 20'. Each box is one mounting height.

**40 Watt Type V**

**60 Watt Type V**

**80 Watt Type V**

**CC Utility Lighting, Inc.**