

**APPLICATION**

The CCL series LED Center Suspension Luminaire provides a cost efficient and long lasting solution for lighting roadway intersections. With a standard 10 year warranty and excellent photometric performance, the CCL allows customers to enjoy the benefits of a quality made LED fixture with peace of mind. The CCL is designed specifically for mounting on a suspension cable spanning across two utility poles at an intersection, eliminating the need for a fixture mounting arm.

**SPECIFICATION FEATURES**

**A... Mounting**

Cable clamp mounting bracket made of durable sand cast aluminum in Ohio.

**B... Electronics**

High performing drivers and advanced surge protectors provide ultra-long life in a robust powering system.

**C... Reflector**

Spun aluminum reflector with grey polyester powder coat paint manufactured in Alabama.

**D... LED Light Engine**

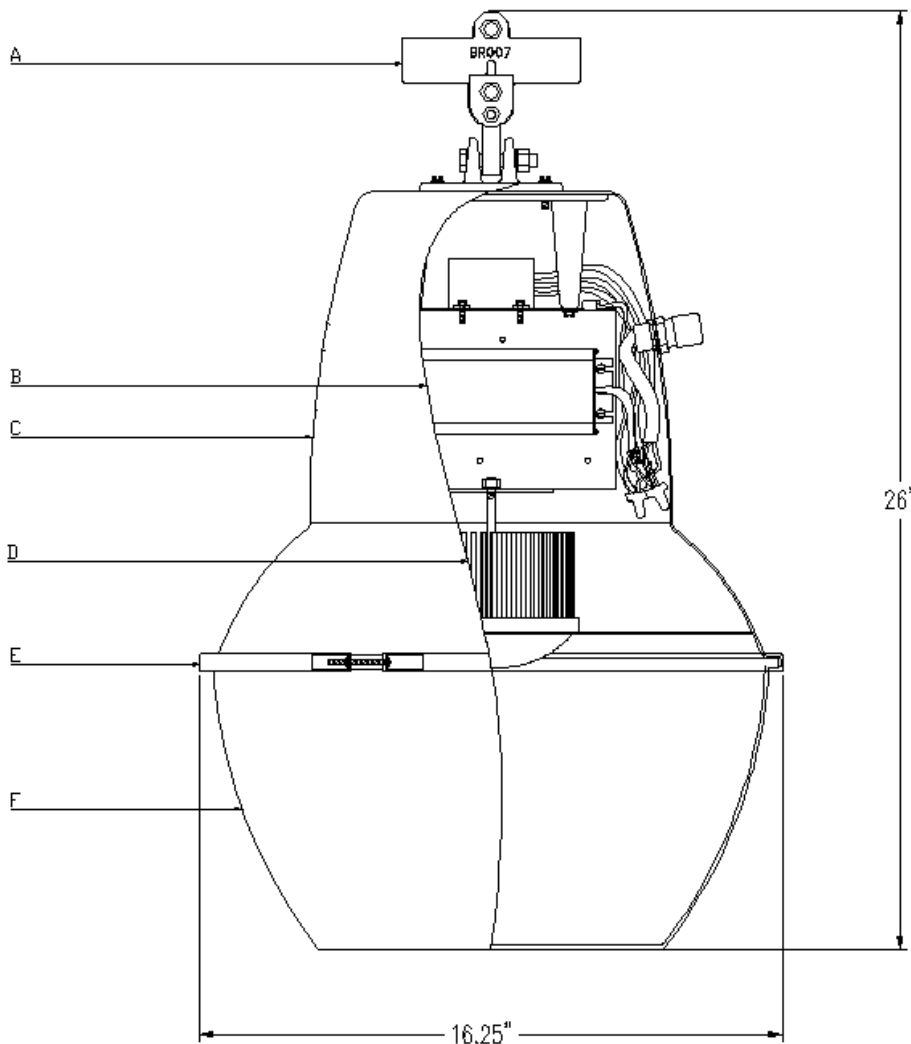
High performance Bridgelux Gen 7 Vero 18 COB (chip on board) LEDs and Khatod silicone optic provide excellent photometric distribution. Forged aluminum rod heat sink allows for greater heat dissipation.

**E... Lens Clips**

Stainless steel four (4) lens clips secures the lens to the reflector.

**F... Lens**

Acrylic IES Type V lens manufactured in Michigan.



**CCL  
ROADWAY  
LUMINAIRE**

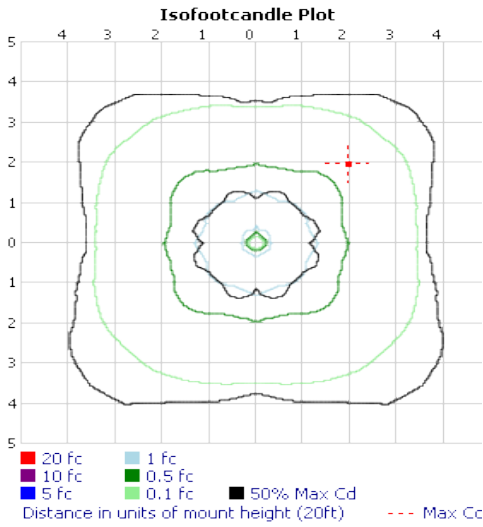
- 40W LED
- 60W LED
- 70W LED
- 80W LED

Approximate Net Wt: 20 lbs



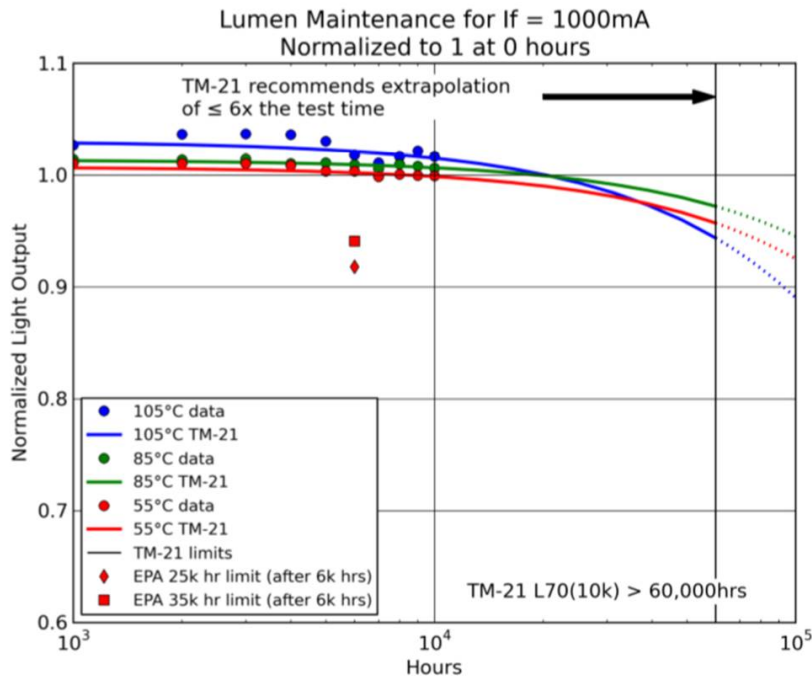
65W LED, 4000K, NO REFRACTOR, TYPE V (8,300 LUMENS)

Fixture w/ "3P" and "LLPC" options



**ELECTRICAL INFORMATION**

The CCL Luminaire is 95% power factor corrected, thermal overload protected, electrical short/ overload protected, and has <20% total harmonic distortion. The D4 system has been through a number of tests including In Situ Thermal, Energy Star TM-21, IESNA LM-79 and IESNA LM-80. The CCL has a rated life of greater than 100,000 hours.



CCL, NO REFRACTOR



**ORDERING INFORMATION**

SAMPLE NUMBER: CCL40LE2554K23PLLPC

|                                     |  |                                  |  |                                     |   |  |   |   |
|-------------------------------------|--|----------------------------------|--|-------------------------------------|---|--|---|---|
| <b>CCL</b><br>PRODUCT FAMILY<br>CCL | <b>40</b><br>WATTAGE<br>40 = 50W<br>65 = 80W | <b>L</b><br>LAMP TYPE<br>L = LED | <b>E</b><br>DRIVER TYPE<br>E = ELEC. DRIVER<br>D = DIMMABLE DRIVER | <b>2</b><br>VOLTAGE<br>2 = 120-277V | <b>55</b><br>DISTRIBUTION<br>33 = TYPE III<br>55 = TYPE V | <b>4K</b><br>CCT<br>3K = 3000K<br>4K = 4000K<br>5K = 5000K | <b>2</b><br>SURGE PROTECTION<br>0 = NONE<br>2 = 40kV/20kA | <b>COB</b><br>OPTIONS<br>LLPC = LONG LIFE PHOTOCONTROL<br>3P = 3 PIN PCR<br>7P = 7 PIN PCR<br>NR = NO REFRACTOR |
|-------------------------------------|--|----------------------------------|--|-------------------------------------|---|--|---|---|

